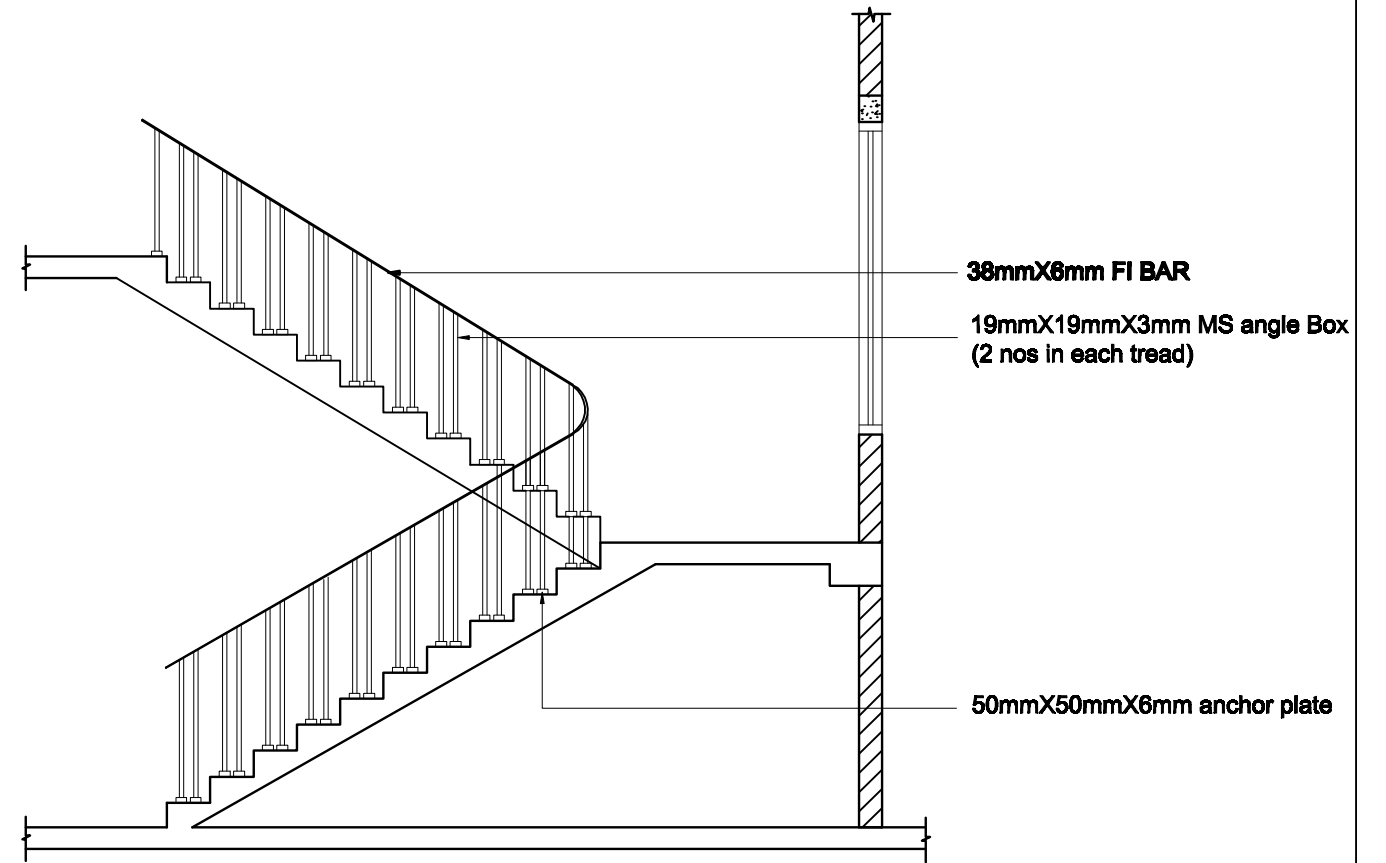
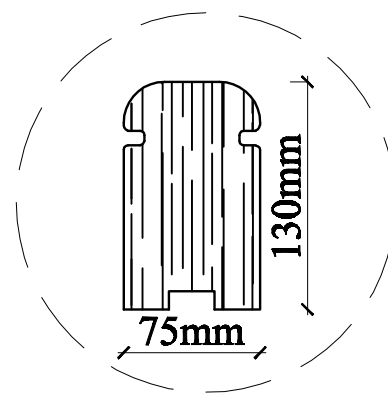


Stair Detail



Stair Detail



Detail-A
Cross Section of
Wooden hand Rail